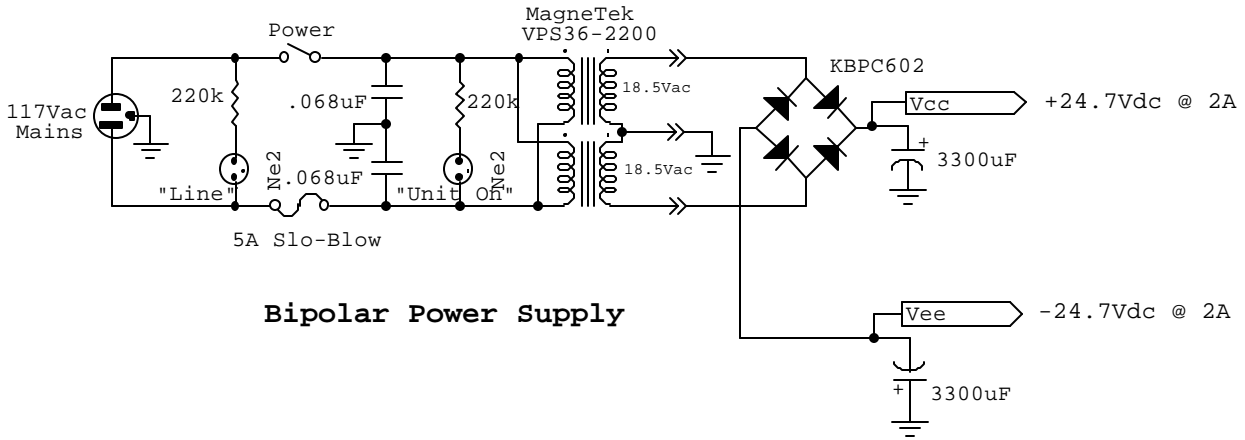


**Power Amplifier**



**Bipolar Power Supply**

**▲ Notes**

L1 = 10 turns #18 solid wire wrapped around R4.

U1 must be heatsinked.

**68-Watt Audio Power Amplifier**

The LM3886 and a power supply combine to form a low-cost, highly reliable power amplifier suitable for PA or music purposes.

The LM3886 features thermal and overload protection.