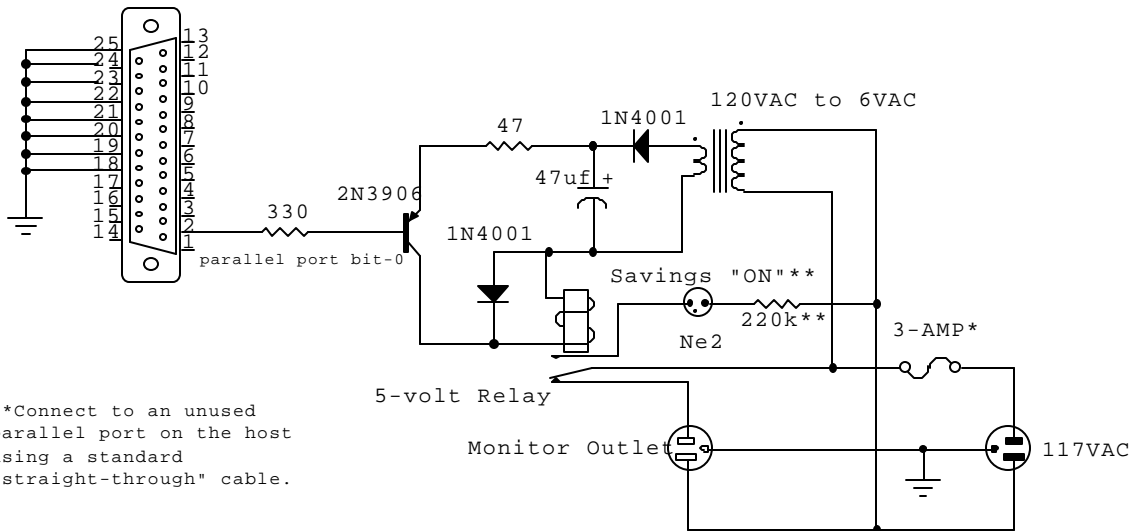


Panel-mounted, female  
DB25 Connector\*\*



\*\*Connect to an unused parallel port on the host using a standard "straight-through" cable.

## Energy-Saving PC Monitor Switch

By plugging your legacy (OLD) monitor's power cord into this device, attaching it to an unused parallel port, and installing a suitable device driver, your computer can turn off your energy-hungry monitor during periods of inactivity. The device driver senses when mouse and keyboard are idle and after a user-selectable period of time has elapsed, a command is sent to the unused port which switches off the monitor. If either the keyboard or mouse is used during this time, the driver will sense this and send out the command to re-enable the monitor.



\*Or to match your monitor's requirement

\*\*Optional to indicate Power Savings Mode is active.